



Life raft SOLAS LALIZAS OCEANO
 LALIZAS OCEANO life rafts are designed to be stored on board on every passenger vessel worldwide.

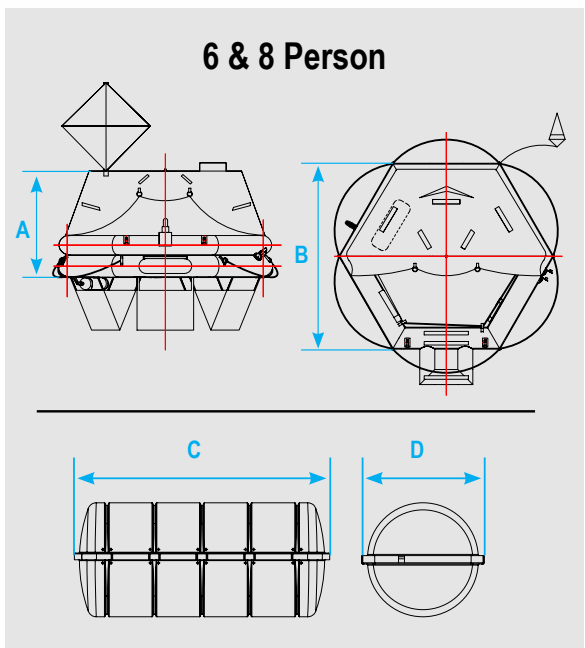
- 6, 8, 10, 12, 15, 20, 25, 30 & 35 person
- Pack A & Pack B
- Man throw over board liferafts



Canister
Items included:
 - Cradle
 - Strap
 - Operation line

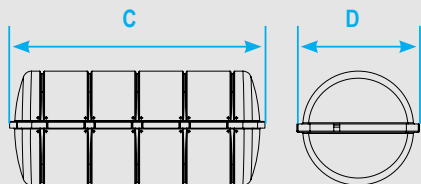
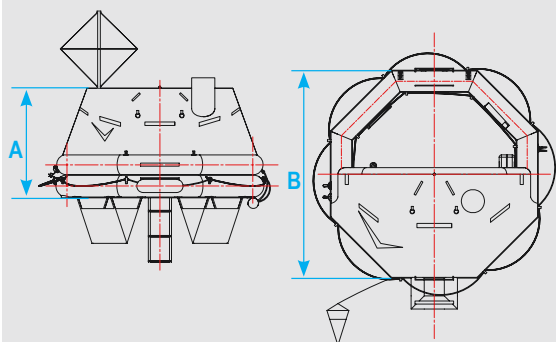
2012
New Products

SOLAS/MED (Maritime Equipment Directive 96/98/EC as last amended). Certified as Items A.1/1.12 Inflatable Liferrafts and tested per the applicable Standards, as stated within the frameworks of the MED Directive, i.e. SOLAS 74 as amended, i.e. Reg.III/4, Reg.III/13, Reg.III/21, Reg.III/26, Reg.III/31, Reg.III/34 and X/3, LSA Code I and IV, IMO Res. MSC.81(70), MSC.207(81), MSC.218(82), MSC.226(82), MSC.295(87), MSC/Circ.811, 1994 and 2000 HSC Code 8 and ISO 15738 (2002).

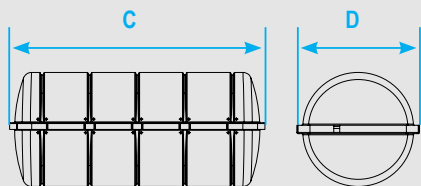
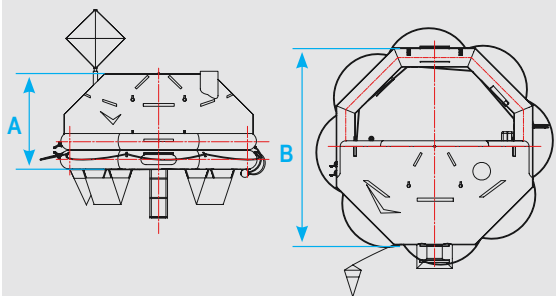


Code	Persons	Pack	Dimensions (mm)			
			A	B	C	D
79867	6	A	1200	2104	1090	615
79903		B			1045	545
79868	8	A	1250	2390	1090	615
79904		B			1045	545

10 & 12 Person



15 Person

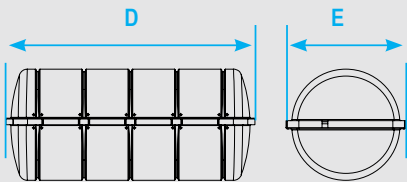
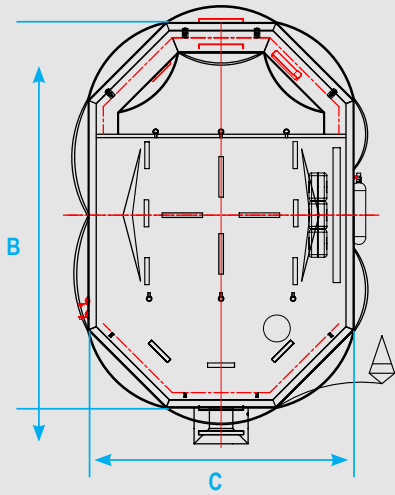
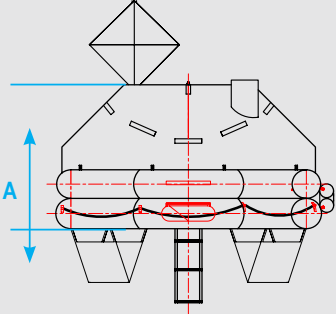


Code	Persons	Pack	Dimensions (mm)			
			A	B	C	D
79869	10	A	1400	2694	1230	630
79905		B			1090	615
79870	12	A	1500	2924	1230	630
79906		B			1090	615



Code	Persons	Pack	Dimensions (mm)			
			A	B	C	D
79871	15	A	1600	3238	1285	670
79907		B			1230	630

20, 25, 30 & 35 Person



Code	Persons	Pack	Dimensions (mm)				
			A	B	C	D	E
79873	20	A	1600	4304	2974	1335	696
79909		B				1285	670
79874	25	A	1650	4894	3194	1490	757
79910		B				1335	696
79875	30	A	1700	5384	3414	1700	765
79911		B				1490	757
79876	35	A	1750	5899	3568	1700	765
79912		B				1490	757